

## **DEMO DERBY SAV'S TEAMS RACING RULES AND REGULATIONS**

All participants(Drivers) must have as a minimum a day license from Speedway Australia, this can be obtained from the speedway Australia web site or alternatively by seeing the staff at Grafton Automotive

**PLEASE READ THE FOLLOWING RULES CAREFULLY-ALL RULES WILL BE STRICTLY ENFORCED.** Note: All vehicles must be in standard condition except for modifications allowed in these specifications.

- 1.1. **Format: Forward only slalom Demo Derby for front wheel drive 4 Cylinder with a maximum capacity of 1.8 litre**
- 1.2. **Open to Front Wheel Drive 4-cylinder vehicles ONLY eg: Hyundai Excel, Daewoo, Ford Laser, Mazda 323, Suzuki, Swift, Daihatsu Charade, Toyota Corolla – if you're not sure please seek clarification on cars.**
- 1.3. **NO PASSENGERS ARE ALLOWED**
- 1.4. **No relieving of guards or panels to allow greater wheel clearance**
- 1.5. **Diff's are open**
- 1.6. **Wheels and tyres are not restricted – All wheel weights must be removed.**
- 1.7. **All mouldings, head lights, tail lights and badges must be removed (NOT BROKEN)**
- 1.8. **All glass must be removed properly, NOT BROKEN IN. PLEASE NO GLASS fragments left in vehicle.**
- 1.9. **All cars are to be cleaned out (no loose objects)**
- 1.10. **All doors must be tied with Seat Belts or chained, and not lightened or cut out ie. Not altered in any way. • Window mesh in front of driver's door optional**
- 1.11. **Webbing strap or chain for the extreme front of bonnet is acceptable. No bolting, welding or strengthening of any bonnet, boot lid, mudguard, bumper bar or seam.**
- 1.12. **No tow bars.**
- 1.13. **Battery must be securely mounted, covered with RUBBER MATTING**
- 1.14. **Radiators must be of original type and in original position.**
- 1.15. **Fan blades may be removed.**
- 1.16. **No additional heater tanks, radiators or top-up bottles.**
- 1.17. **Fuel Tanks -If original tanks are used a maximum of 20 litres of fuel can be carried**
- 1.18. **Fuel Tanks - alternative tank must be a steel "jerry can or outboard motor fuel tanks", which must be secured to the middle of the rear seat on the floor in a safety cradle. Original must be holed.**

- 1.19. **Absolutely No plastic bottles permitted.**
- 1.20. **The original fuel line must be used from the engine bay to the entrance of the fuel tank where an approved one metre (maximum length) flexible fuel hose may be used. Professionally constructed – no plastic tanks.**
- 1.21. **Located immediately behind the driver's seat one tube steel bar from pillar to pillar (centre pillars or rear doors OK) must be used. Round Tube or Square tubing must be at least 38mm x 3.0mm. A Vertical bar may be used behind the driver's seat from roof to floor with a plate or a rope from pillar to pillar to stop right hand seat collapsing.**
- 1.22. **On the end of each bar plates of not less than 100mm x 100mm are to be welded on each end and bolted to pillars (not welded) by at least two bolts each side through pillars or rear doors and plates. Bolts must be no less than 6mm thick and bolted from outside inwards.**
- 1.23. **Approved seat belts must be fitted to the vehicle – Standard vehicle seatbelts are allowed or proper fitted Competition four-point harness are permitted and recommended.**
- 1.24. **Belts must be in good condition -i.e. no frayed edges.**
- 1.25. **Car numbers must be in large lettering on both sides of the vehicle. Preferably, both passenger doors.**
- 1.26. **The driver's door must be painted RED OR WHITE WITH A LARGE WHITE X (CROSS) OR NUMBER to be a contender in event. No X/Number = No start.**
- 1.27. **All sign writing will be inspected. Anything deemed to be in bad taste by the officials must be removed.**
- 1.28. **Any foam cushioning is acceptable and recommended**
- 1.29. **All brakes must be in working order**

## SAV'S DERBY RACING RULES

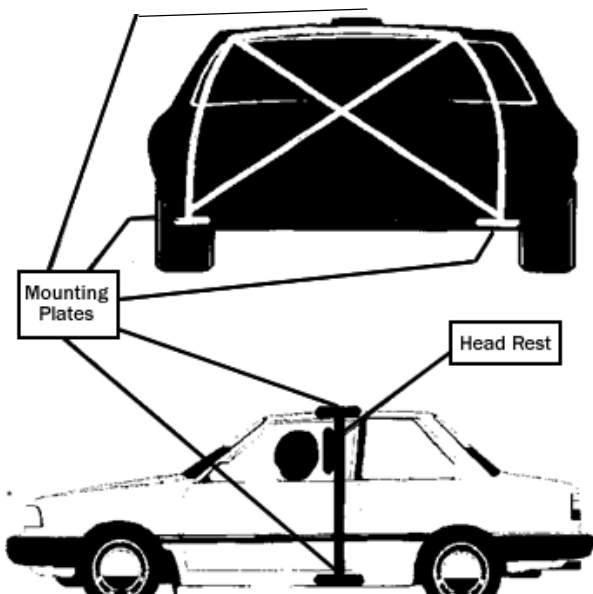
- 2.1 Open to all competitors, male and female, over the age of 17 years, with a full or one day Speedway Australia competition licence.
- 2.2 No consumption of alcohol less than 12 hours before said event. Anybody found intoxicated will be banned from the current and any future Demolition Derbies. No drinking of alcohol in the pits until the completion of the race meeting.
- 2.3 This Demo Derby is FORWARD only.
- 2.4 The event is started 2 to 4 wide with each car touching the car in front nose to tail when the YELLOW light is turned to GREEN
- 2.5 In the event of a yellow light being shown cars are to move under caution to the start line to restart 2 to 4 wide with each car touching the car in front nose to tail when the YELLOW/RED light is turned to GREEN.
- 2.6 The officials may at any time change the lights back to RED in the event of an accident or fire. All action must cease immediately when the RED light is on.
- 2.7 Crash helmets, neck braces (mandatory) and seat belts must be of an approved type and be worn at all times.
- 2.8 Competitors must be dressed from head to toe – no exposed skin. No Nylon or synthetic clothing allowed. Cotton drill overalls or better is strongly advised and work boots must be worn. NO THONGS, SHORTS, T-SHIRTS ARE ALLOWED.
- 2.9 Uniforms should be clean and free from oil, grease and petrol.
- 2.10 Any cars immobilized for longer than one minute will be deemed to be out of the event
- 2.11 ANY CARS DEEMED BY OFFICIALS NOT TO BE PARTAKING IN THE DEMOLITION DERBY WILL BE AUTOMATICALLY DISQUALIFIED.
- 2.12 DRIVER'S USING THE INFIELD GRASS AREA WILL BE DISQUALIFIED.
- 2.13 ANY DRIVER'S DOOR DEEMED TO BE HIT ON PURPOSE BY A FELLOW COMPETITOR; THE OFFENDING DRIVER WILL BE INSTANTLY DISQUALIFIED.
- 2.14 On receipt of paid entry, a number will be allocated.
- 2.15 Decision of Judges, Referees and Scrutineers are final. No protest will be considered.
- 2.16 Management has the right to refuse the entry of any driver without reason.

**DEMO DERBY SAV'S TEAMS RACING:  
ADDITIONAL TECHNICAL SPECIFICATIONS**

- 3.1 All cars to be tidy in appearance and professionally signwritten.
- 3.2 All glass except interior mirror to be removed.
- 3.3 Cars that contain rust in critical areas e.g. door pillars or hinges will not be permitted.
- 3.4 Side intrusion bar to be fitted between drivers door pillars (same size and material as roll bar).
- 3.5 All vehicles must be fitted with an interior roll bar (not full cage) fitted behind the front seat, above the drivers normal seated position, as per diagram over.
- 3.6 Rollbar material: 38mm OD 3.2mm wall thickness steampipe or RHS.
- 3.7 Diagonal cross must be fitted inside roll bar.
- 3.8 Rollbar to be mounted to mounting plates at floor and middle of roof.
- 3.9 Mounting plates to be 125mm x 125mm x 6mm.
- 3.10 A headrest 280mm x 150mm x 3mm to be fitted centrally behind drivers helmet and securely mounted to rollbar.
- 3.11 Radiators to remain in original position but fan may be removed.
- 3.12 Fuel tanks must be mounted in the boot area centrally and as far forward as possible without intruding into the rear passenger area.
- 3.13 Fuel lines to be secured with no leaks or kinks and of an approved type.
- 3.15 All bolts used to effect modification are to be a minimum of 10mm in diameter.
- 3.16 Car only to carry 10ltrs of fuel
- 3.17 Electric fuel pumps must have a shut off switch accessible from outside the vehicle
- 3.18 Must have a 4, 5 or 6 point racing harness (harness must be serviceable but may not be in date)

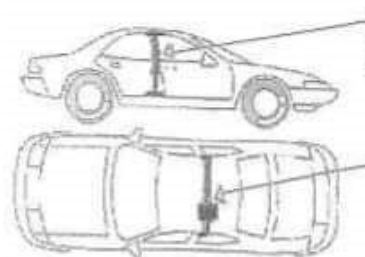
Pictured below: Roll bar as required in Sav's Teams Derby Rules

3.5 – 3.10



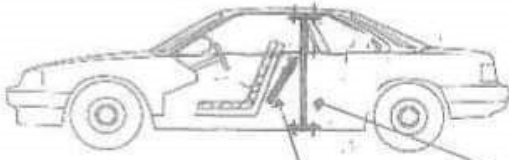
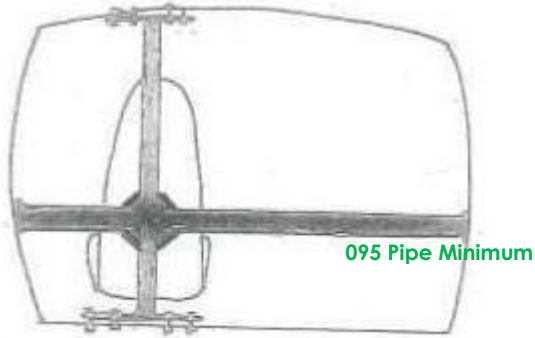
3.19 Derby Teams Rollbar Option B – as per diagrams below

- 50x50mm RHS 3mm wall thickness plates on sides and floor and roof 300mm x300mm x 3mm thick.
- A side intrusion bar on the driver's side should run from front of front door pillar to rear of rear door pillar at centre door height.



095 Rollover post. Flat plate welded top and bottom. Bolted through roof and floor

095 pipe behind drivers seat, welded from B-pillar to B-pillar



B-Pillar to B-Pillar bar      Rollover post can be behind B-Pillar bar

#### DEMO DERBY SAV'S TEAMS RACING: ADDITIONAL RACING RULES

- 4.1 Racing may take place during the meeting.
- 4.2 No competitor shall maneuver their vehicle into the path of others so their door is exposed.
- 4.3 No hitting any stationary vehicles
- 4.4 All competitors must race in the race direction.
- 4.5 In the event of a rollover the car is out of the race unless it returns to its wheels without assistance.
- 4.6 Teams will consist of 2 to 4 members at the promoter's discretion
- 4.7 One way communication to Chief Steward is required.